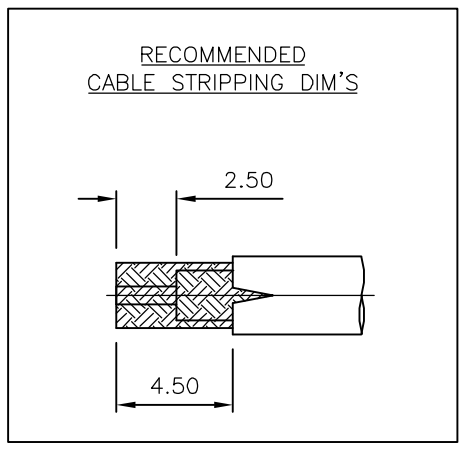
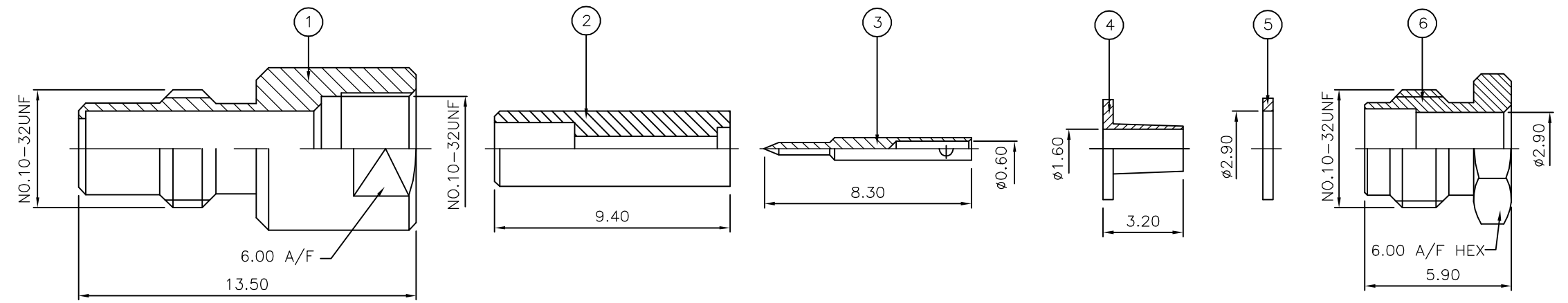


THIS DRAWING IS UNPUBLISHED. RELEASED FOR PUBLICATION JAN ,2006.
 © COPYRIGHT 2006 BY TYCO ELECTRONICS CORPORATION. ALL RIGHTS RESERVED.

LOC	DIST	REVISIONS					
E	B	P	LTR	DESCRIPTION	DATE	DWN	APVD
		C		ECR-05-017969	12JAN06	JMS	FWK

- NOTES:
- ① PACK IN ACCORDANCE WITH AMP SPEC 107-3275
 - ② 100 TRAY PACK IN ACCORDANCE WITH AMP SPEC 107-3275
 - ③ Au PLATING
- 4 ELECTRICAL CHARACTERISTICS
- | | |
|-------------------------------|----------------------------|
| FREQUENCY RANGE: | DC - 10 GHz |
| NOMINAL IMPEDANCE: | 50 Ohm |
| INSULATION RESISTANCE: | 1000 MOhm |
| WORKING VOLTAGE: | 250 Volts RMS at Sea Level |
| DIELECTRIC WITHSTAND VOLTAGE: | 750 Volts RMS Max |
| CONTACT RESISTANCE: | |
| CENTRE CONTACT: | 6.00 mOhm Max |
| OUTER CONTACT: | 1.00 mOhm Max |
| VSWR @ 3GHz: | 1.35:1 |
| INSERTION LOSS dB @ x 4 GHz: | 0.25 Max |
- 5 MECHANICAL CHARACTERISTICS
- | | |
|---------------------------------|----------------|
| COUPLING NUT RETENTION FORCE: | N/A |
| CABLE RETENTION FORCE: | |
| RG174A/U, 188A/U, 316/U, URM95: | 85N Min |
| DURABILITY: | 500 Cycles Min |
- 6 ENVIRONMENTAL CHARACTERISTICS
- | | |
|------------------------|------------------|
| OPERATING TEMPERATURE: | -65 to +165 DegC |
|------------------------|------------------|



QTY	UNIT	MATERIAL	DESCRIPTION	ITEM
1	1	BRASS	CLAMP NUT	6
1	1	BRASS	WASHER	5
1	1	BRASS	FERRULE	4
1	1	BRASS	CONTACT	3
1	1	PTFE	INSULATION	2
1	1	BRASS	BODY	1
6--0	1--0	MATERIAL	DESCRIPTION	ITEM

THIS DRAWING IS A CONTROLLED DOCUMENT.		DWN	J.SANDWELL	12JAN06	 Tyco Electronics Corporation Bideford EX39 4HE
DIMENSIONS: mm		CHK	S.PARLOW	12JAN06	
TOLERANCES UNLESS OTHERWISE SPECIFIED:		APVD	F.WHEELER-KING	12JAN06	
0 PLC ± - 1 PLC ± - 2 PLC ± - 3 PLC ± - 4 PLC ± - ANGLES ± -		PRODUCT SPEC	-		
MATERIAL SEE TABLE		FINISH	-		NAME
		APPLICATION SPEC	411-3259		SMC STRAIGHT JACK SOLDER 50 OHM RG174A/U, 188A/U, 316/U, URM95, KX3B, KX22A
		WEIGHT	-		SIZE
		CUSTOMER DRAWING			CAGE CODE
					DRAWING NO
					RESTRICTED TO
					A3 00779 C-1337483
					SCALE
					NTS
					SHEET
					1 OF 1
					REV
					C